

BATTERY & CHARGER STATIONS

**CHARGER ACCESSORIES**

**COMPLETE LINE**

- *Most comprehensive line of products and accessories for your battery charger.*



BATTERY HANDLING SYSTEMS  
BHS1.COM



## BATTERY & CHARGER STATIONS

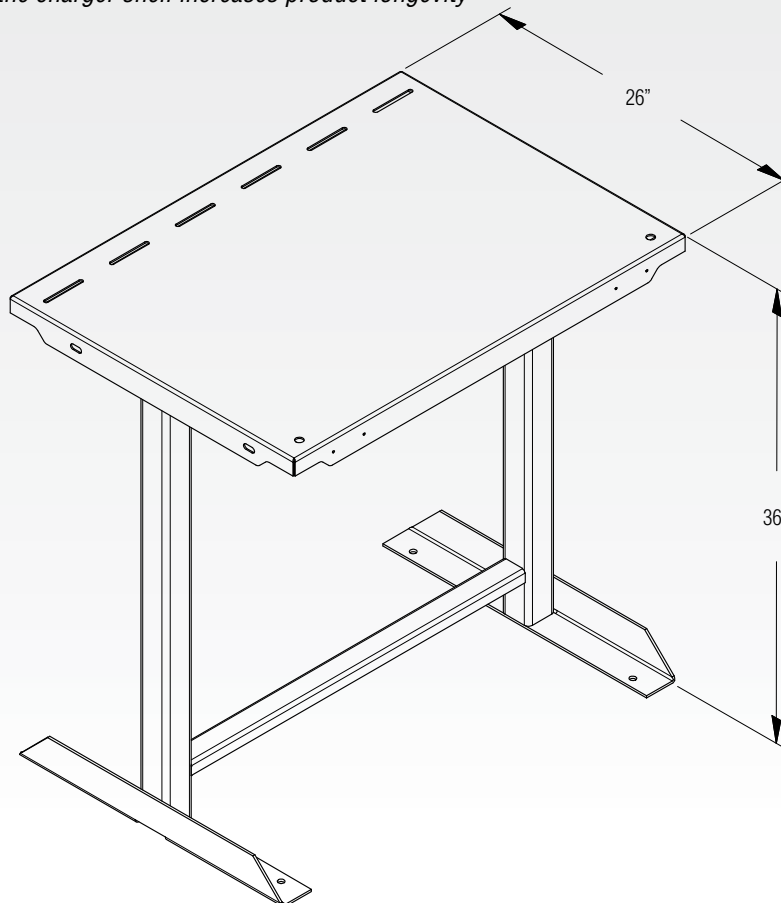
# CHARGER ACCESSORIES

### CHARGER STANDS (CS)

BHS Charger Stands come in several models and provide a safe, convenient location for your battery chargers.

### FEATURES & BENEFITS

- Heavy duty frame construction for added reliability
- Standard models available: 24", 36" and 72"
- 24" and 36" models have a 400 lbs shelf capacity while the 72" model shelf capacity is 600 lbs
- Custom built models made to your specifications
- CR-1 cable retractor mounting holes
- SB connector mounting holes
- Charger shelves come slotted allowing for optional 6" shelf extension
- Charger anchoring slots for securing most makes of chargers
- Fluid corners on the charger shelf increases product longevity



**CHARGER WALL BRACKETS (CWB)**

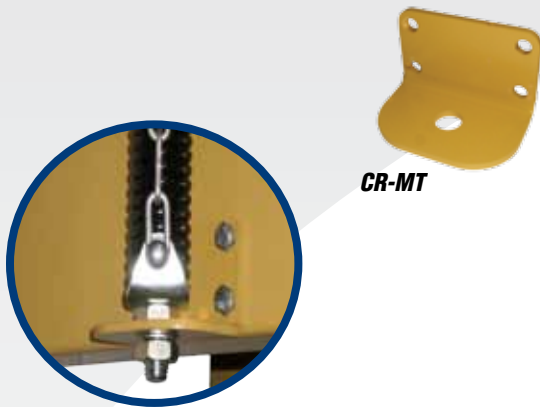
Charger Wall Brackets (CWB) offer an economical solution for mounting battery chargers. The CWB is sturdy and easy to install.

**FEATURES & BENEFITS**

- Helps prevent charger damage
- Supports up to 400 lbs
- 24-1/8" deep x 24-1/8" tall



**CWB**



**CR-MT**

**CABLE RETRACTOR MOUNTING BRACKET (CR-MT)**

The Cable Retractor Mounting Bracket (CR-MT) allows the BHS Cable Retractor to be mounted on a CWB.

**FEATURES & BENEFITS**

- Mounts to BHS Charger Wall Brackets by way of (4) 5/16" diameter mounting holes.

**CABLE RETRACTOR (CR-1)**

The BHS Cable Retractor (CR-1) utilizes a heavy duty spring with safety chain and includes a restrainer for added protection. Mounts to BHS Battery or Charger Stands shelves using pre-drilled mounting holes or to BHS Charger Wall Brackets using a CR-MT (sold separately).

**FEATURES & BENEFITS**

- Heavy duty spring with safety chain
- Threaded mounting stud with nut
- Supports up to 10' of 2/0 charger leads
- 34" long x 1" diameter pole



**CR-1**

## BATTERY & CHARGER STATIONS

# CHARGER ACCESSORIES

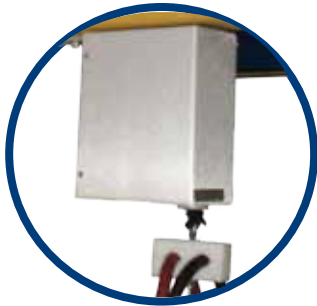
### MAGNETIC CABLE MOUNT (CR-M)

The BHS Magnetic Cable Mount (CR-M) is a convenient tool that safely secures battery and charger cables preventing cable damage and clutter. Mounts to any flat, ferrous metallic surface such as a charger shelf, wall bracket, or charger case.



### FEATURES & BENEFITS

- 3.25" diameter magnet mounts to any flat, ferrous metallic surface
- Allows precise positioning of cable and connector
- Supports up to 10' of 2/O charger leads
- Magnet is constructed of durable chrome plated steel
- HPDE acid resistant clamp



### HEAVY-DUTY CABLE RETRACTOR (CCR-12HD)

The BHS Cable Retractor - Heavy Duty (CCR-12HD) holds larger cables and bolts directly onto the charger. It's adjustable and lightweight. Mounts to BHS Battery Stands, Chargers Stands, or Charger Wall Brackets by way of (2) 3/8" diameter mounting holes.

### FEATURES & BENEFITS

- Bolts to charger, charger bracket, or charger shelf
- Adjustable tension spring
- Reaches up to 10'
- Supports up to 12' of 4/O charger leads
- HPDE acid resistant clamp



Join us on  
Facebook



Follow us  
on Twitter

